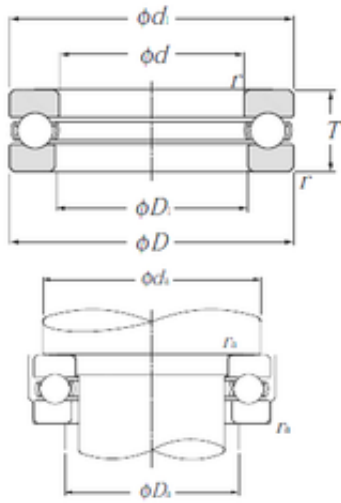




# TIMKEN BEARINGS TRAINING INDUSTRY



## 51192 NTN Thrust Spherical Roller Bearing

Bearing No. 51192

Size	460x560x80 mm
Bore Diameter	460 mm
Outer Diameter	560 mm
Width	80 mm
d	460 mm
D	560 mm
T	80 mm
d1	555 mm
r min.	2,1 mm
D1	464 mm
da min.	519 mm
Da max.	501 mm
ra max.	2 mm
Weight	41,6 Kg
Basic dynamic load rating (C)	525 kN
Basic static load rating (C0)	3 000 kN
(Grease) Lubrication Speed	390 r/min

51192 Bearing 2D drawings and 3D CAD models