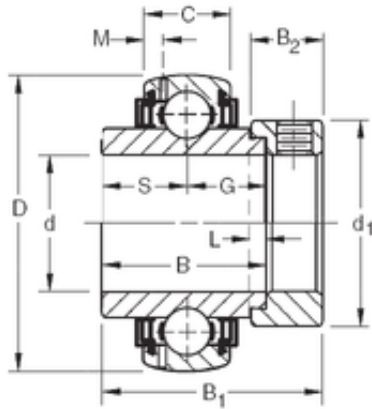




# TIMKEN BEARINGS TRAINING INDUSTRY



## 34,925 mm x 80 mm x 38,1 mm TIMKEN GN106KLLB Insert Bearings Spherical OD

Bearing No. GN106KLLB

Size	34.925x80x38.1 mm
Bore Diameter	34,925 mm
Outer Diameter	80 mm
Width	38,1 mm
d	34,925 mm
D	80 mm
B	38,1 mm
C	22 mm
d1	55,6 mm
B1	51,59 mm
B2	17,46 mm
G	19,84 mm
L	3,9 mm
M	3,96 mm
S	18,3 mm
Weight	0,699 Kg
Basic dynamic load rating (C)	40,5 kN

GN106KLLB Bearing 2D drawings and 3D CAD models